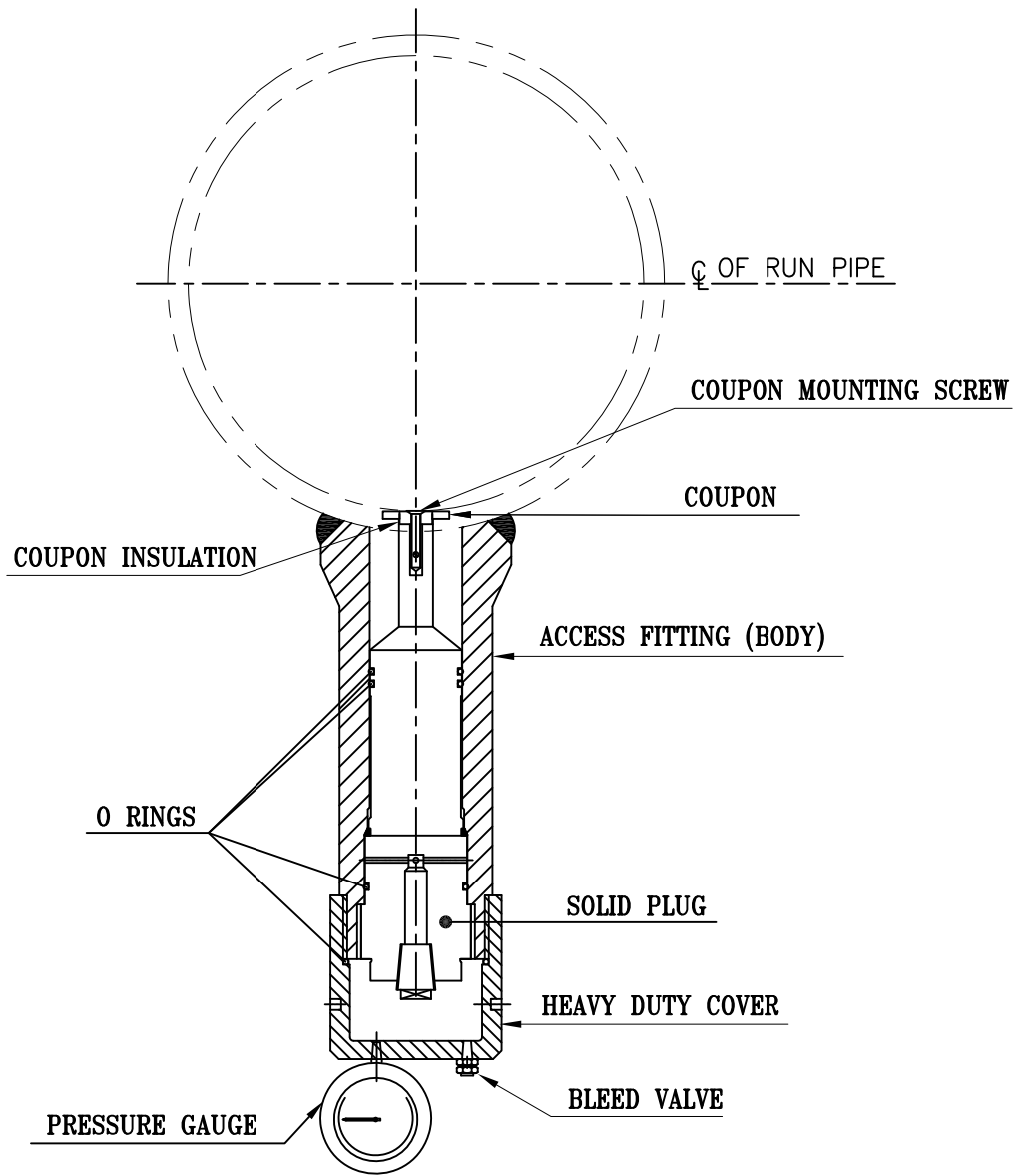


REV NO	DETAILS	DATE	DRAWN/REV.BY	CHECKED BY	APPROVED BY
-	-	-	-	-	-



CORROSION COUPON

UNSPECIFIED TOLERANCE FOR MACHINING AS PER DIN 7168 CL. MEDIUM UNSPECIFIED TOLERANCE FOR WELDING AS PER DIN 8570 DEG. OF ACCURACY B.			MANUFACTURER :- CRYSTAL INDUSTRIAL SYNDICATE PVT. LTD -TALOJA WORKS																		
SURFACE FINISH SYMBOLS <table border="1"> <thead> <tr> <th>Symbol</th> <th>Roughness (CLA) Microns</th> </tr> </thead> <tbody> <tr> <td></td> <td>0.4 TO 0.8</td> </tr> <tr> <td></td> <td>0.8 TO 1.6</td> </tr> <tr> <td></td> <td>1.6 TO 4.0</td> </tr> <tr> <td></td> <td>4.0 TO 8.0</td> </tr> <tr> <td></td> <td>8.0 TO 25.0</td> </tr> <tr> <td></td> <td>Machining after welding</td> </tr> <tr> <td></td> <td>Commercial finish Produce by Casting, Forging & Flame Cutting. Burrs & Projections removal.</td> </tr> </tbody> </table>		Symbol	Roughness (CLA) Microns		0.4 TO 0.8		0.8 TO 1.6		1.6 TO 4.0		4.0 TO 8.0		8.0 TO 25.0		Machining after welding		Commercial finish Produce by Casting, Forging & Flame Cutting. Burrs & Projections removal.	STAGE INSPECTION BY : -	<p align="center">CORROSION COUPON</p> <p align="center">FLUSH DISC TYPE</p>		
Symbol	Roughness (CLA) Microns																				
	0.4 TO 0.8																				
	0.8 TO 1.6																				
	1.6 TO 4.0																				
	4.0 TO 8.0																				
	8.0 TO 25.0																				
	Machining after welding																				
	Commercial finish Produce by Casting, Forging & Flame Cutting. Burrs & Projections removal.																				
CERTIFIED FOR CONSTRUCTION SIGN. : DATE : DEPT. : -		<table border="1"> <tr> <th>CISPL JOB NO.</th> <th>DRAWING NO.</th> <th>REV.</th> </tr> <tr> <td align="center">-</td> <td align="center">-</td> <td align="center">-</td> </tr> </table>	CISPL JOB NO.	DRAWING NO.	REV.	-	-	-													
CISPL JOB NO.	DRAWING NO.	REV.																			
-	-	-																			
SCALE : -																					

THIS DRAWING & DESIGN IS THE PROPERTY OF
CRYSTAL INDUSTRIAL SYNDICATE PVT. LTD
 AND MUST NOT BE COPIED OR LENT WITHOUT
 THEIR PERMISSION IN WRITING.